

DMX512

Decoder Series



CE RoHS

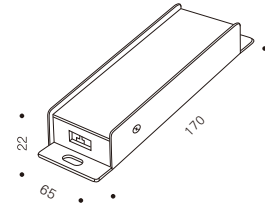
Specifications

Model:	DE8239		
Input:	DC12-24V	Max output Power:	480W(12V)/960W(24V)
Max current Load:	6A*6CH Max 40A	Signal Input:	DMX512/1990
Control channels:	6CH	The light gray level:	256
Protection Grade:	IP20	DMX512/PWM Socket:	RJ45/Screw terminal
Gross Weight:	300g	Work Temp.:	-30°C~70°C

Basic Features

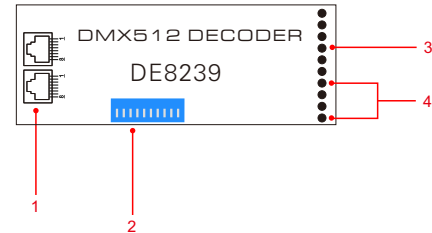
- Follow DMX 512 / 1990 protocol.
- 256-levels brightness, full-color with driver controls.
- Can achieve asynchronous color changes effect under working with controller.
- Modularizing and can be matched with different LED module neatly.
- Setting the DMX address freely with dip-switch.

Dimensions



Unit: mm

Component Diagram



1. DMX Signal IN/OUT (RJ45)
2. Address Dip Switch
3. LED Lamps Connection Socket
4. Power Input Socket

Product Operation

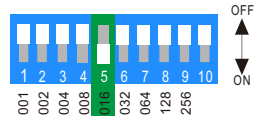
Self-testing Mode: put all DIP-Switch NO.1 to NO.9 ON full channels output 3 seconds then each color gradient.



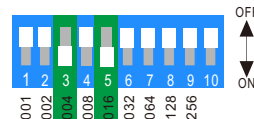
How to set DMX address via DIP switch:

DMX address value = the total value of (1-9) to get the place value when in "on" position otherwise will be 0.

E.g. 1 : Set Initial Address to 16.

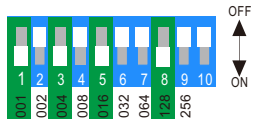


E.g. 2 : Set Initial Address to 20.



$004 + 016 = 20$

E.g. 3 : Set Initial Address to 149.



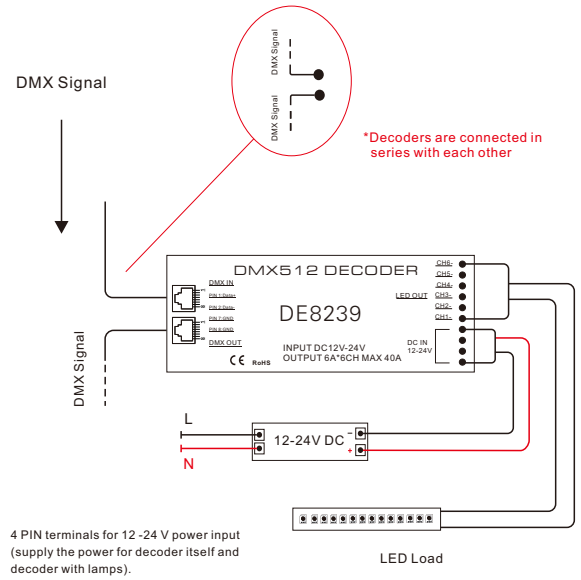
$001 + 004 + 016 + 128 = 149$

DMX Dimming Instruction:

Each DE8239 DMX decoder occupied 6 DMX addresses when connecting the DMX console. E.g., the defaulted initial address is 1, please find their corresponding relationships in the form.

DMX Console	DMX Decoder
CH1 0-255	CH1 PWM 0-100% (LED R)
CH2 0-255	CH2 PWM 0-100% (LED G)
CH3 0-255	CH3 PWM 0-100% (LED B)
⋮	⋮
CH6 0-255	CH6 PWM 0-100% (LED W)

Wiring diagram



- *DMX5000 output and DE8239's transmission lines can't be over 300 meters.
- *DMX5000 each interface can with not more than 170 pieces of DE8239. Eight output interface. Through the JBLEED FLASH light making software and can with computer on line control. Realize infinite contact the DMX lights.
- *When connected 32 pieces of DE8239, DMX signal must add a signal amplifier RE2000 cascade can't more than 4 PCS.

Suitable lamps and lanterns

